

---

# **4Way Diversity DVB-T2 Module Specifications**

---

## **DVB-T24 Module**

---

# 1 Introduction

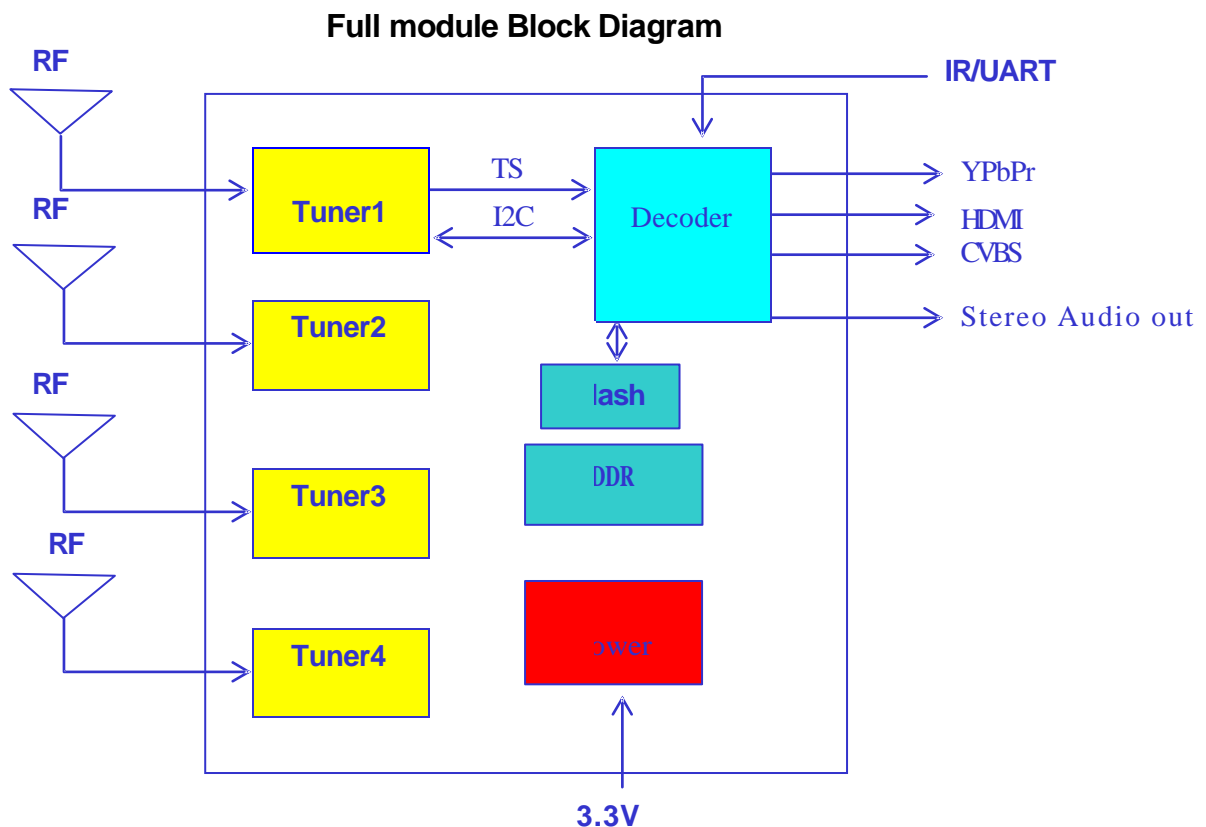
## 1.1 Features

- Connector type DVB-T2 module with 4 way Diversity tuner
- Frequency Range (170MHz ~ 860MHz)
- CVBS output
- HDMI output
- YPbPr output
- Stereo audio output
- UART / IR Remote Control Interface
- Compliance with DVB-T2 Standards
- Diversity capability is supported.
- Advanced signal processing for mobile environment conditions.
- Slim & Small Size : 40(W) x 70(L) x 5.0(T) mm
- Voltage input + 3.3V
- + 3.3V active antenna support.

## 1.2 Applications

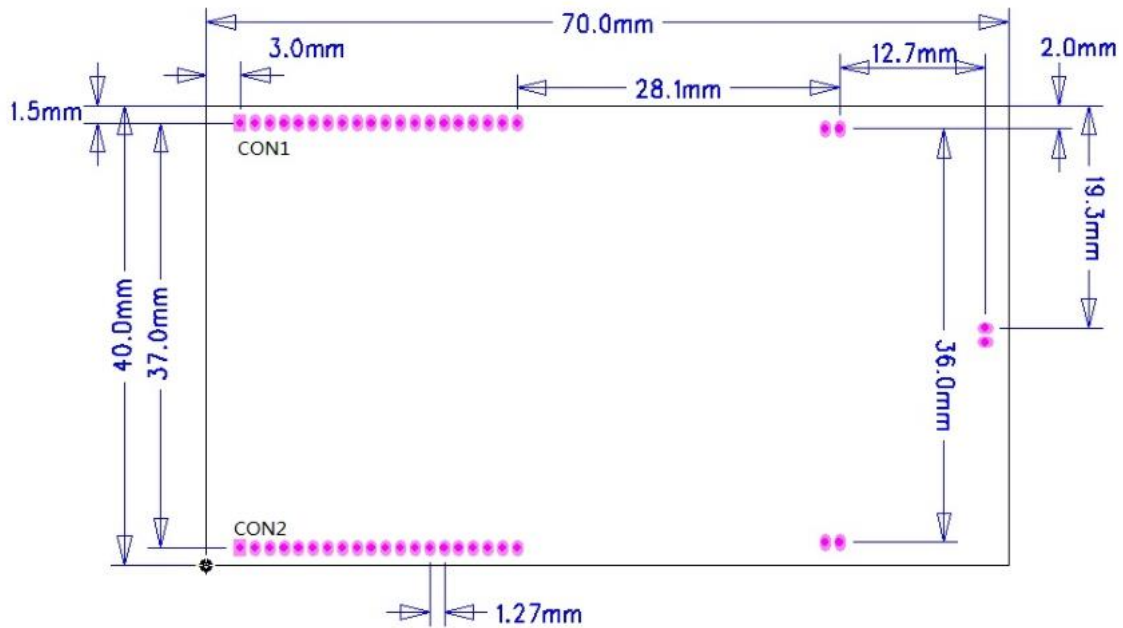
- Mobile TV, Car TV
- STB, Home TV Box
- Portable and Handheld Devices

## 1.3 Block Diagram



## 2 Pin Information

### 2.1 Pin Dimension (TOP VIEW)



Module Size	40(W) x 50(L) x 5.0(T) mm
-------------	---------------------------

### 2.2 Pin descriptions

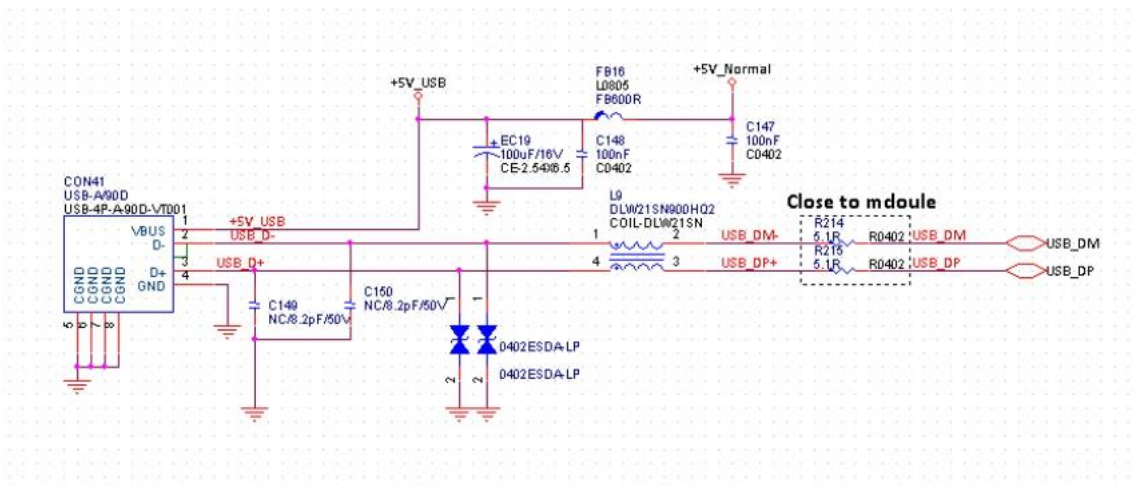
CON1, CON2: 1.27mm pitch header (20pin)

	Terminal No.	Terminal Name	Terminal Descriptions
Con1	1	+3.3VA	+3.3V Power
	2	+3.3VA	+3.3V Power
	3	GND	Ground
	4	NC	
	5	NC	
	6	GND	Ground
	7	RESET	Reset (High reset)
	8	IR_IN	Remoter Control Input
	9	GND	Ground
	10	AOUT_R	Analog Audio Right Out
	11	AOUT_L	Analog Audio Left Out
	12	GND	Ground
	13	Y	Y output
	14	Pb	Pb output
	15	Pr	Pr output
	16	SPDIF	SPDIF output
	17	GND	Ground
	18	UART_RX	UART Receiver
	19	UART_TX	UART Transmitter
	20	GND	Ground

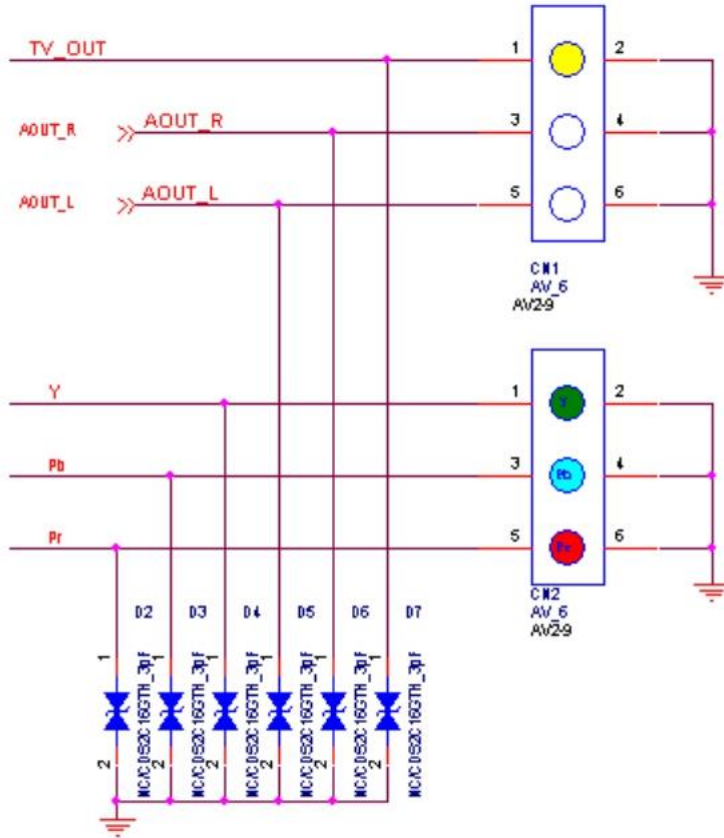
Con2	1	GND	Ground
	2	CVBS	Analog Video Out
	3	GND	Ground
	4	USB-DM	USB-DM
	5	USB-DP	USB-DP
	6	GND	Ground
	7	HDMI_SDA	HDMI_SDA
	8	HDMI_SCL	HDMI_SCL
	9	GND	Ground
	10	HDMI-CEC	HDMI-CEC
	11	HDMI-HDP	HDMI-HDP
	12	HDMI-CLKN	HDMI-CLKN
	13	HDMI-CLKP	HDMI-CLKP
	14	HDMI-TX0N	HDMI-TX0N
	15	HDMI-TX0P	HDMI-TX0P
	16	HDMI-TX1N	HDMI-TX1N
	17	HDMI-TX1P	HDMI-TX1P
	18	HDMI-TX2N	HDMI-TX2N
	19	HDMI-TX2P	HDMI-TX2P
	20	GND	Ground

### 3 Application Schematic

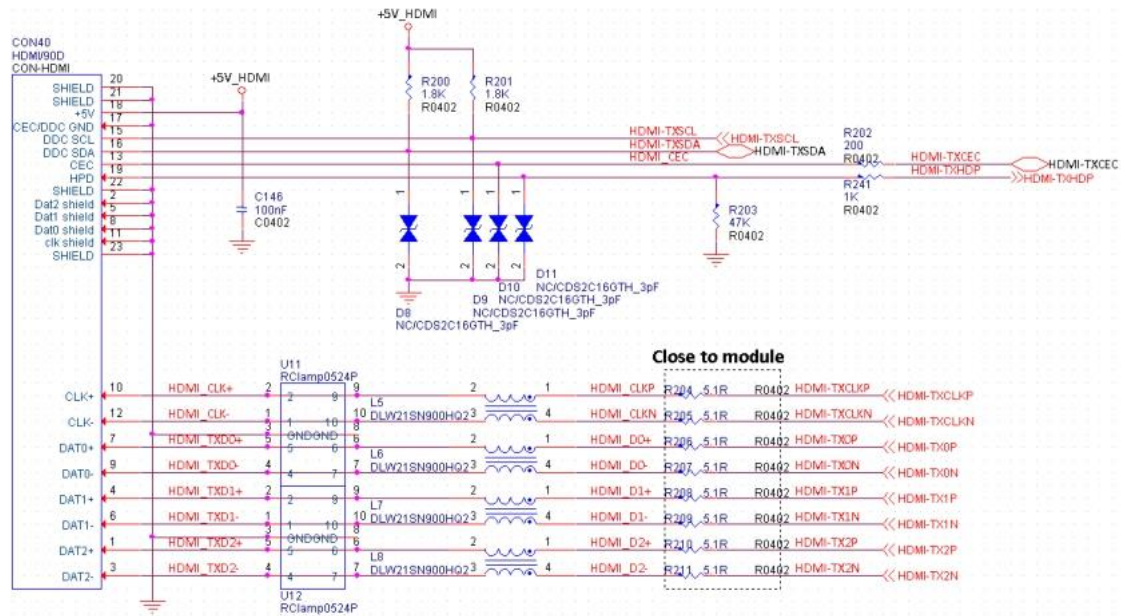
USB:



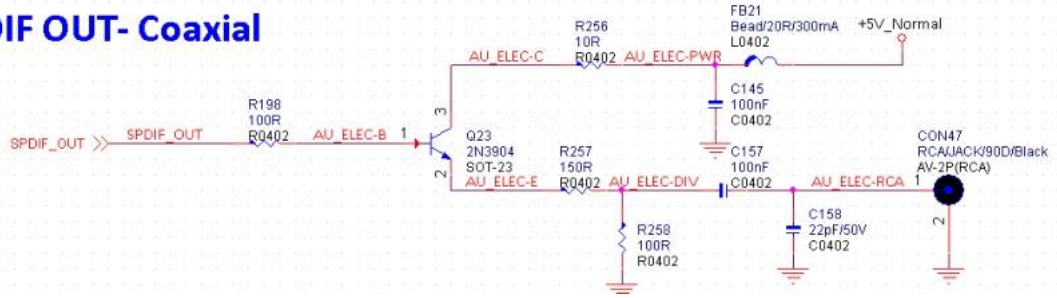
CVBS&YPbPr:



HDMI:



## SPDIF OUT- Coaxial



## 4 output

### 4.1 Video Out

- CVBS
- YPbPr
- HDMI 1.4a

### 4.2 Audio Out

- STEREO Audio OUTPUT

## 5 Electrical Specifications

### ■ General Specifications

Item	Description
Applications	DVB-T2
Frequency Range	170MHz ~ 860MHz
Operating Voltage	3.3V(Typ)
Operating Current (Max)	1.8A
Power Consumption (Max)	6W
Input Impedance@ Antenna	50ohm
Active antenna	3.3V active antenna support through RF line
Mechanical Dimension	W 40mm X D 50mm X H5mm

### ■ Recommended operating Conditions

Symbol	Parameter	Min	Typ	Max	Unit
3.3V	Power Supply for A/V Module	3.13	3.3	3.47	V
Power Ripple	Ripple of Power Supply		20		mVp-p
Ta	Ambient operating temperature	0		70	°C
Tj	Junction temperature	-20		85	°C

### ■ Absolute Maximun Ratings

Symbol	Parameter	Min	Max	Unit
3.3V	Power Supply for A/V Module		3.6	V
Tstg	Storage Temperature	-40	150	°C